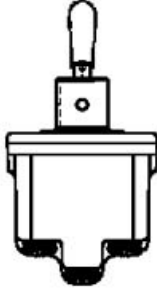




### 1NT1-2



*Actual product appearance may vary.*

**NT Series Toggle Switch, 1 pole, 2 position, Screw terminal, Standard Lever**

#### Features

- Completely sealed switching chamber
- NEMA 3, 3R, 4, and 13
- UL recognized, File E12252, Vol. 1, Section 44
- CSA certified, File LR4442
- CE approved

#### Potential Applications

- Aerial lifts, scissor lifts, truck mounted tele-handlers, and cranes
- Construction equipment
- Agriculture equipment
- Material-handling equipment
- Factory-floor control units
- Machine tool equipment manufacturers

#### Description

MICRO SWITCH™ NT Series toggle switches meet the need for a rugged, cost-effective toggle switch. Quality construction features include a seal between the toggle lever and bushing, and between the cover and case. These switches can be used where panels are subject to splashes, hosedowns, or outdoor environments. The "Easy-Start" threaded bushing enables quick alignment of mounting nut to decrease the chance of cross threading. The panel stand-off with O-ring feature available on some listings, eliminates the need for behind-the-panel hardware, provides uniform panel height, and provides a panel to cover seal.

Product Specifications															
Circuitry/Operating action	<table border="0"> <tr> <td></td> <td style="text-align: center;"><b>Opposite</b></td> </tr> <tr> <td></td> <td style="text-align: center;"><b>Keyway</b></td> </tr> <tr> <td></td> <td style="text-align: center;"><b>Position</b></td> </tr> <tr> <td></td> <td style="text-align: center;"><b>Position</b></td> </tr> <tr> <td></td> <td style="text-align: center;"> </td> </tr> <tr> <td></td> <td style="text-align: center;"> </td> </tr> <tr> <td></td> <td style="text-align: center;"> <b>2 3</b>      <b>2 3</b>  <b>OFF</b>      <b>ON</b> </td> </tr> </table>		<b>Opposite</b>		<b>Keyway</b>		<b>Position</b>		<b>Position</b>						<b>2 3</b> <b>2 3</b> <b>OFF</b> <b>ON</b>
	<b>Opposite</b>														
	<b>Keyway</b>														
	<b>Position</b>														
	<b>Position</b>														
	<b>2 3</b> <b>2 3</b> <b>OFF</b> <b>ON</b>														
Product Type	MICRO SWITCH™ Toggle Switch														

Ampere/Voltage Range (Resistive Load)	0.5 A at 250 Vdc,0.75 A at 115 Vdc,0.5 A to 15 A at 0.5 Vac to 277 Vac,0.5 A to 20 A at 0.5 Vdc to 28 Vdc
Circuitry	SPST
Action	2 position
Mounting	Bushing 15/32 in
Termination	Screw
Lever Type	Standard
UL/CSA Rating Code	L191: 15 A-125, 250, 277 Vac; 1/2 Hp-125 Vac; 1 Hp-250, 277 Vac; 5 A-120 Vac "L"
Comment	One-pole transportation grade toggle
Availability	Global
UNSPSC Code	30211908
UNSPSC Commodity	30211908 Toggle switches
Series Name	NT

INT1 SERIES CHART 1

CATALOG LISTING

ISSUE 8

REVISIONS

A	207607	TSM	7MAR03
B	207782	C.S.L.	27 MAR 03
C	0009175	AS	08NOV04

CHECK

7MAR03

SAV

CHECK

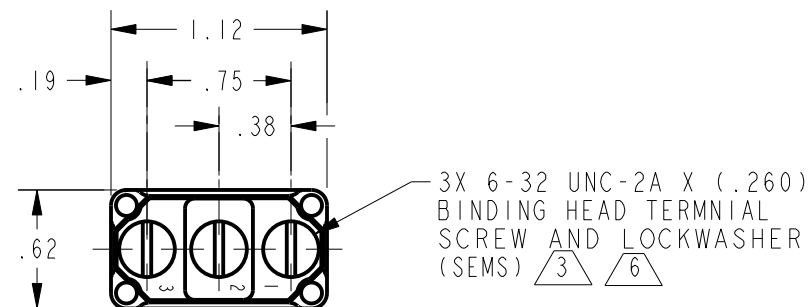
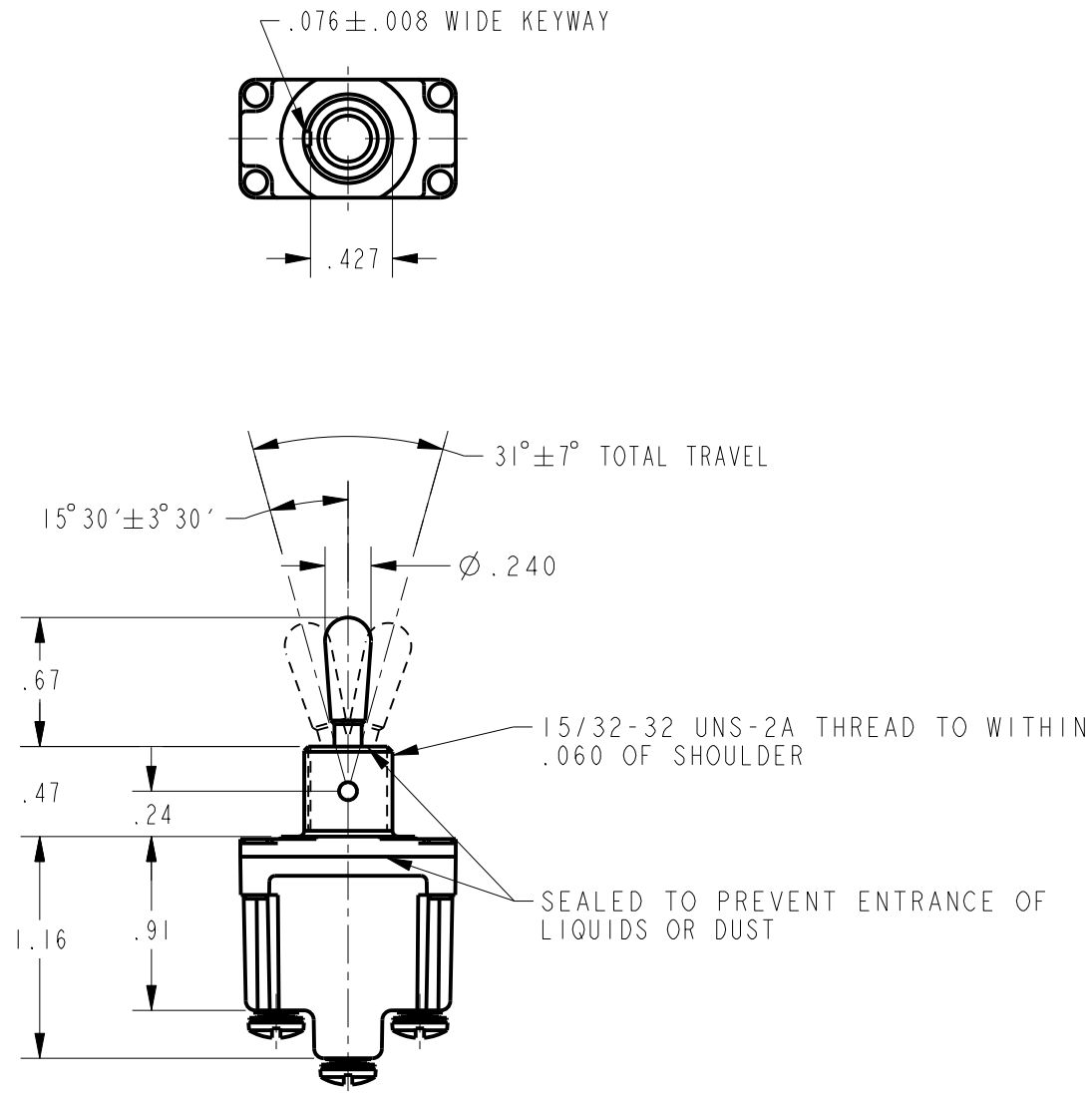
7MAR03

PTC/CAD 2D  
DRAWN

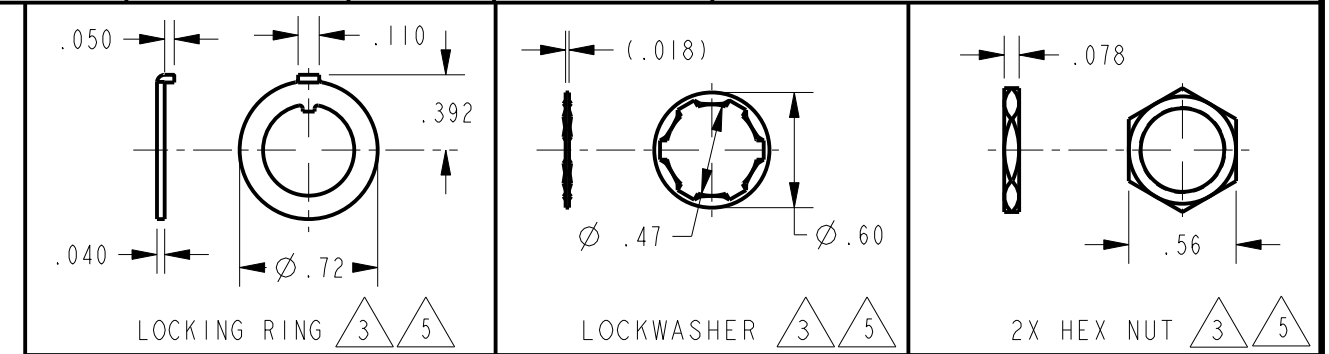
REPLACES -

RELEASE NO. PR-19402

PAGE 1 OF 1



CATALOG LISTING	CIRCUIT MADE WITH TOGGLE LEVER IN			ELECTRICAL DATA
	KEYWAY SIDE (1-2)	CENTER (1-2)	OPPOSITE KEYWAY (2-3)	
INT1-1	ON	OFF	ON	L191 15A 125, 250, 277 VAC 1/2HP 125 VAC 1HP 250, 277 VAC 5A 125 VAC "L" CE RMC
INT1-2	OFF	NONE	ON	
INT1-3	ON	NONE	ON	
INT1-21	NONE	OFF	ON	
INT1-31	NONE	ON	ON	
INT1-4	MOM OFF	NONE	ON	L192 10A 125, 250, 277 VAC 1/4HP 125 VAC 1/2HP 250, 277 VAC 3A 125 VAC "L" CE RMC
INT1-5	MOM ON	OFF	ON	
INT1-6	MOM ON	NONE	OFF	
INT1-7	MOM ON	OFF	MOM ON	
INT1-8	MOM ON	NONE	ON	
INT1-51	NONE	ON	MOM ON	
INT1-61	MOM ON	OFF	NONE	



NOTES

- 1 - SWITCH WILL WITHSTAND TEMPERATURE OF 160°F CONTINUOUSLY AT FULL RATED LOAD
- 2 - MICRO SWITCH CAT. LIST. MARKED ON SIDE OF SWITCH
- 3 FURNISHED UNASSEMBLED
- 4 APPLIES ONLY TO "ON" AND "MOMENTARY ON" POSITIONS
- 5 "NH" SUFFIX MUST BE ADDED TO SPECIFY NO HARDWARE (EX INT1-1-NH)
- 6 "COMB" SUFFIX MUST BE ADDED TO SPECIFY 6-32 UNC-2A X (.260) COMBINATION DRIVE STYLE BINDING HEAD TERMINAL SCREW AND LOCKWASHER (SEMS) (EX INT1-7-COMB)

THIRD ANGLE PROJECTION	
SCALE	FULL
DO NOT SCALE PRINT	
UNLESS OTHERWISE SPECIFIED TOLERANCES ARE	
ONE PLACE	(.0) ±.030
TWO PLACE	(.00) ±.015
THREE PLACE	(.000) ±.005
ANGLES	±
WEIGHT	.07 LB APPROX